



## Other Special Models

### PW-0610LG Luggage Wrapping Machine

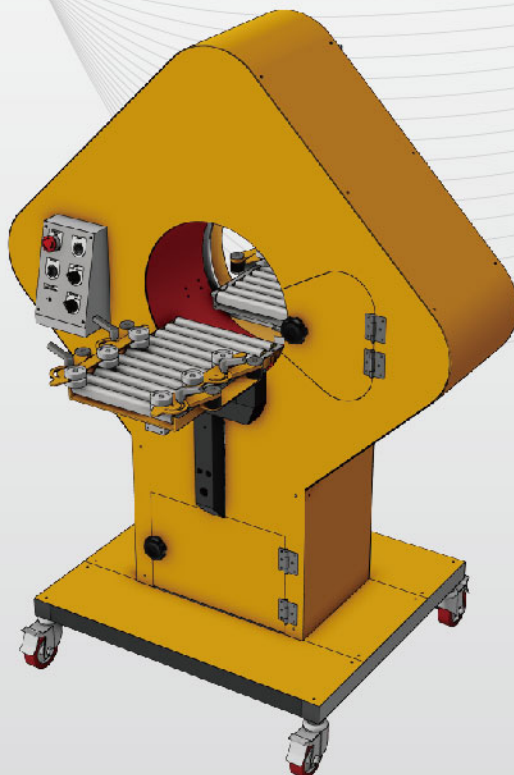
|                 |                             |
|-----------------|-----------------------------|
| Power           | 1Ø, 220V/230V/240V, 50/60Hz |
| Turntable Dia.  | 600mm                       |
| Wrapping Height | 550mm                       |
| Turntable Speed | 3 ~ 14 R.P.M                |
| Loading Weight  | 100KGS                      |
| Machine size    | L1440 x W600 x H1351mm      |

#### Options

- Customized turntable diameter



PW-0610LG



### PW-400AH Horizontal Wrapping Machine

|                    |                          |
|--------------------|--------------------------|
| AH:Horizontal wrap |                          |
| Power              | 1Ø, 220/240, 50/60 Hz    |
| Rotating Speed     | 150 RPM (Adjustable)     |
| Film Carriage      | Mechanical Brake (T1)    |
| Wrapping Dimension | W200xH85~200mm           |
| Working Height     | 964mm                    |
| PE Film            | ID76mmxOD203mmxW51~127mm |
| Loading Weight     | 2000 Kgs (Max.)          |
| Machine Size       | L1223xW1006xH1666mm      |

#### Options

- Non-power Conveyor or Powered Conveyor
- Top press
- Customize Working Dimension on request

PW-400AH